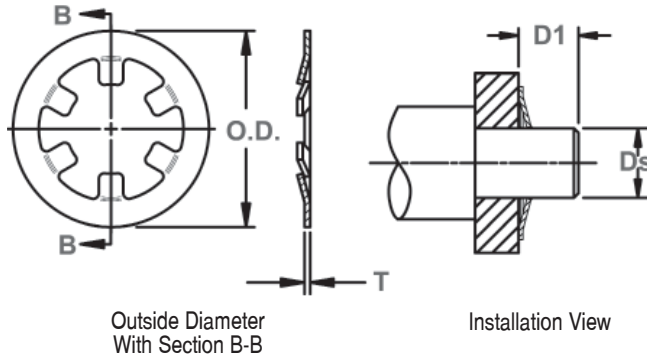




# TY Shaft Rings

## External, Self-Locking Push-On (Flat Rim)

This ring features an outer rim with a series of prongs protruding into the center. The ends create interference with the shaft when the ring is installed and a load introduced to the other side. The outer rim of the TY is flat.



Outside Diameter With Section B-B

Installation View

RING NO.	SHAFT DIAMETER				OUTSIDE DIAMETER		No. Of Prongs	THICKNESS*		i Thrust Load	WEIGHT Per 1000 Pcs.	Min. Distance Face of part to end of shaft
	Ds DEC-DEZ		Ds FRACT	Ds mm	O.D.	Tol.		T	Tol.			
	FROM	TO										
TY-9	.093	.095	3/32	2.39	.250	±.005	3	.010	±.001	13	.09	.040
TY-12	.124	.126	1/8	3.17	.325		4			20	.14	.040
TY-15	.155	.157	5/32	3.96	.356		4			25	.17	.040
TY-18	.187	.189	3/16	4.77	.387		6			35	.20	.040
TY-21	.218	.220	7/32	5.56	.418		6			35	.21	.040
TY-24	.239	.241	-	6.10	.460		6			40	.35	.060
TY-25	.249	.251	1/4	6.35	.450		6			40	.23	.040
TY-31	.311	.313	5/16	7.92	.512		6			45	.26	.040
TY-37	.374	.376	3/8	9.53	.575		6			45	.27	.040
TY-43	.437	.439	7/16	11.1	.638		6			50	.47	.060
TY-50	.498	.502	1/2	12.7	.750	±.010	6	.015	±.002	50	.72	.060
TY-56	.560	.564	9/16	14.27	.812		6			50	.75	.060
TY-62	.623	.627	5/8	15.88	.875		7			50	.82	.060
TY-75	.748	.752	3/4	19.05	1.000		8			55	.97	.060
TY-87	.873	.877	7/8	22.23	1.125		10			60	1.1	.060
TY-100	.998	1.002	1	25.4	1.250		10			65	1.2	.060

\* FOR PLATED RINGS ADD .002" TO MAXIMUM THICKNESS.  
LARGER SIZES MAY BE AVAILABLE UPON REQUEST.

i BASED ON HOUSINGS/SHAFTS MADE OF COLD ROLLED STEEL. FOR AN EXPLANATION OF FORMULAS USED TO DERIVE THRUST LOAD AND OTHER PERFORMANCE DATA, CONTACT THE ROTOR CLIP ENGINEERING DEPT.

THRUST LOAD CAPACITY IF APPLICABLE TO PARTS MADE FROM CARBON SPRING STEEL AND STAINLESS STEEL MATERIALS ONLY INSTALLED ON LOW CARBON STEEL SHAFTS WITHIN THE LISTED DIA. RANGE.

### HARDNESS RANGES: STAINLESS STEEL RINGS (PH 15-7MO)

RING TYPE	SIZE RANGE	SCALE	ROCKWELL HARDNESS
TY	9-21,25-37	15N	82.5-86*
	24,43+	15N	82.5-86

### HARDNESS RANGES: BERYLLIUM COPPER RINGS

RING TYPE	SIZE RANGE	SCALE	ROCKWELL HARDNESS
TY	9-21,25-37	15N	77-82*
	24,43+	15N	77-82

### HARDNESS RANGES: CARBON STEEL RINGS (SAE 1060-1090)

RING TYPE	SIZE RANGE	SCALE	ROCKWELL HARDNESS
TY	9-21,25-37	15N	84-86*
	24,43+	15N	84-86

\*HARDNESS CAN NOT BE CHECKED WITH ANY DEGREE OF ACCURACY DIRECTLY ON THESE RINGS.